

**IMMERSION PROOF "P" TYPE "I" COILS**

**DESCRIPTION**

1/2 inch (13 mm) I.D. Short Immersion Proof Coil.

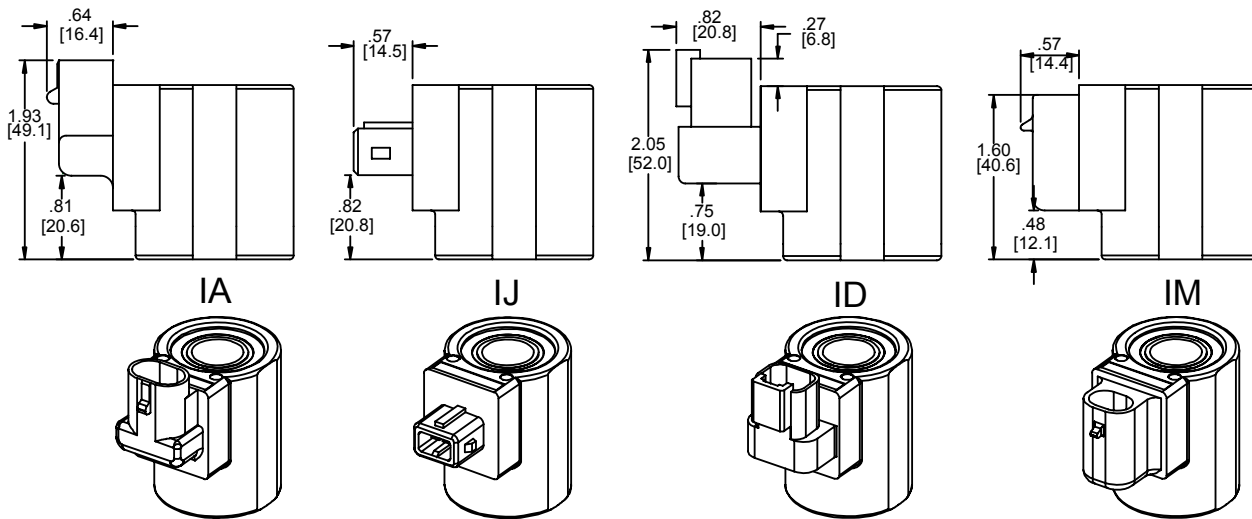
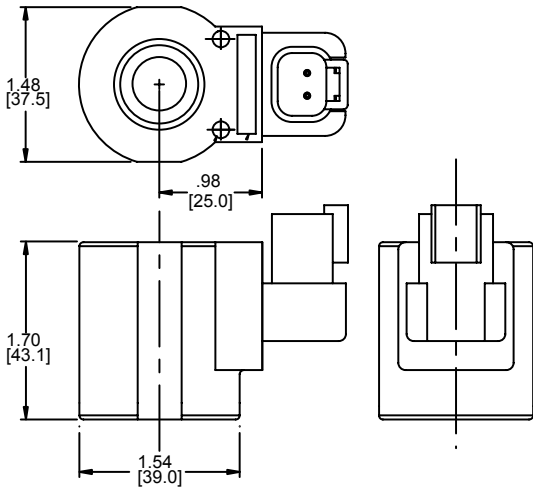
**FEATURES**

One piece encapsulated design that is:

- Weatherproof
- Immersion proof
- Thermal shock / dunk tested
- No external metal shel

**COIL SPECIFICATION**

|                           |  |
|---------------------------|--|
| Wattage                   | 20 Watts Nominal   |
| Duty Rating               | Continuous Duty ±10% rated voltage at 120°F (49°C) ambient                       |
| Min Current for Actuation | 80% of rated current at room temperature   |
| Magnet Wire Class         | H or Better for all voltages   |
| Temperature Range         | -40° to 392°F (-40° to 200°C)  |
| Protection degree         | Up to IP 65 (with connector and suitable seals)                                  |
| Encapsulation Material    | Thermo-Plastic, resistant to moisture, caustic solutions, fungus, and vibrations |



**ORDERING INFORMATION**

|                             |           |           |   |
|-----------------------------|-----------|-----------|---|
| <b>P</b>                    | -         | -         | - |
| <b>TERMINATIONS</b>         |           |           |   |
| AMP Superseal - Integral    | <b>IA</b> | <b>12</b> |   |
| Deutsch - Integral DT04-2P  | <b>ID</b> | <b>24</b> |   |
| AMP Junior Timer - Integral | <b>IJ</b> |           |   |
| Metri-Pack - Integral       | <b>IM</b> |           |   |

**VOLTAGE**  
 1.6 Amp Yellow Lettering  
 .80 Amp Blue Lettering

Approximate Coil Weight: .43 lbs (.19 kg)

*NOTE: Pull type valves require nut 36202073 in lieu of standard nut. Push type valves require nut 36202071 in lieu of standard nut, except for PB-S2I, HB-S2C & HB-S2D use nut 36202090.*

**WARNING:** the specifications/application data shown in our catalogs and data sheets are intended only as a general guide for the product described (herein). Any specific application should not be undertaken without independent study, evaluation, and testing for suitability.



4484 Boeing Drive Rockford, IL 61109 • USA • Phone +1 (815) 397-6628 • Fax +1 (815) 397-2526  
 mail: delta@delta-power.com • www.delta-power.com



Via Malavolti, 36 • 41122 Modena • ITALY • Phone +39 (059) 254895 • Fax +39 (059) 253512  
 mail: tecnord@tecnord.com • www.tecnord.com